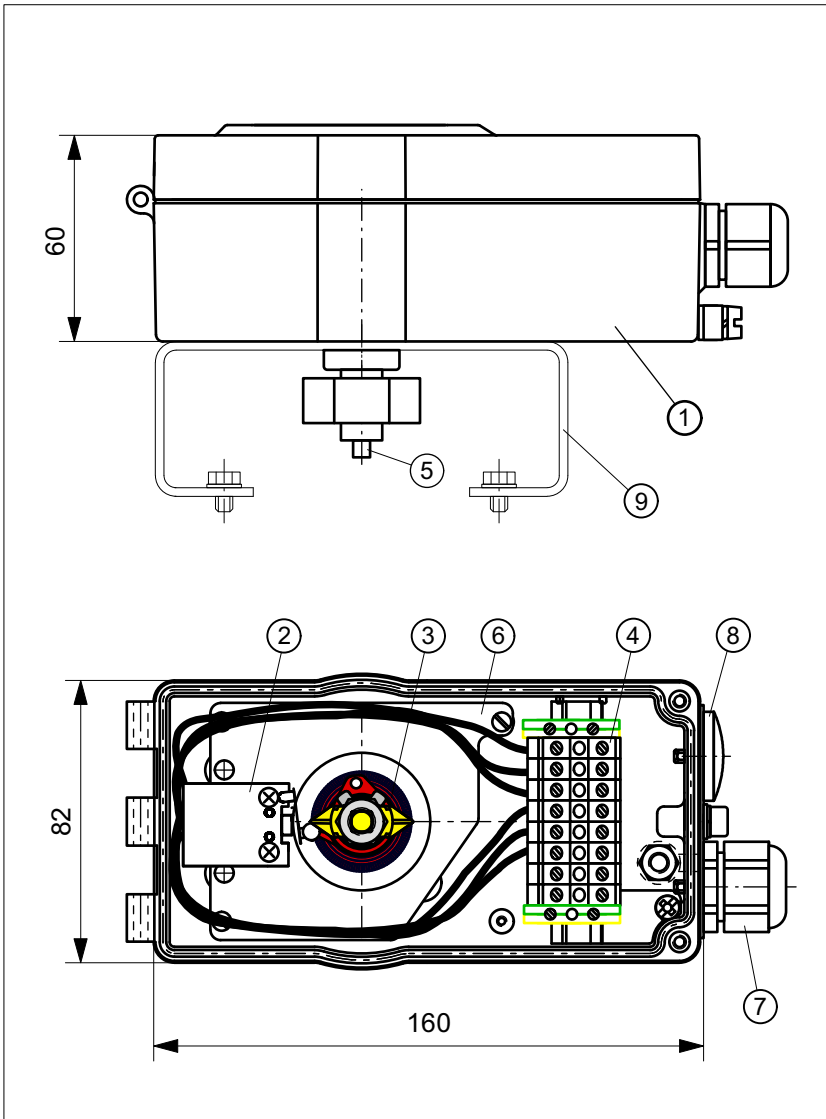




ALB-Module ACR1AREAZ10

ALB-Module with two micro switches Crouzet type 83.139.1
in Aluminium-Housing 160x82x60 mm



TECHNICAL DATA

Manufacturer: Crouzet
 Type: 83.139.1
 micro-switch
 Switch. power: max. 4 A, 230 V AC
 Contacts: Silver-nickel
 Mechanic life-time: 5×10^6 switch. cycles
 Temperature range: $-25 \dots +60^\circ\text{C}$
 Housing: Aluminium
 Base silver-grey
 Cover red
 Sealing: PUR
 Ingress protection: IP67 / IP68
 (depth 1m / duration 1h)
 Switch. precision: $<1.5^\circ$
 System connection: Cable gland M20x1,5
 Clamp. range 5,5...13 mm



II2G Ex db eb IIC T6 Gb
II2D Ex tb IIIC T80°C Db

EC-type examination certificate no.
 PTB 10 ATEX 1061 X

OBJECT LIST

Pos.	Pcs.	Description	Material
1	1	Housing	Aluminium
2	2	Micro switch Ex d IIC T6 Gb	-
3	1	Switch-cam-system	POM
4	1	Terminal block, 10-pole	-
5	1	Axis	Stainless steel
6	1	Mounting plate	Aluminium
7	1	Cable gland M20x1,5	PA
8	1	Blind plug M20x1,5	PA
9	1	Bracket size 1 - 4	Stainless steel

WIRING DIAGRAM

