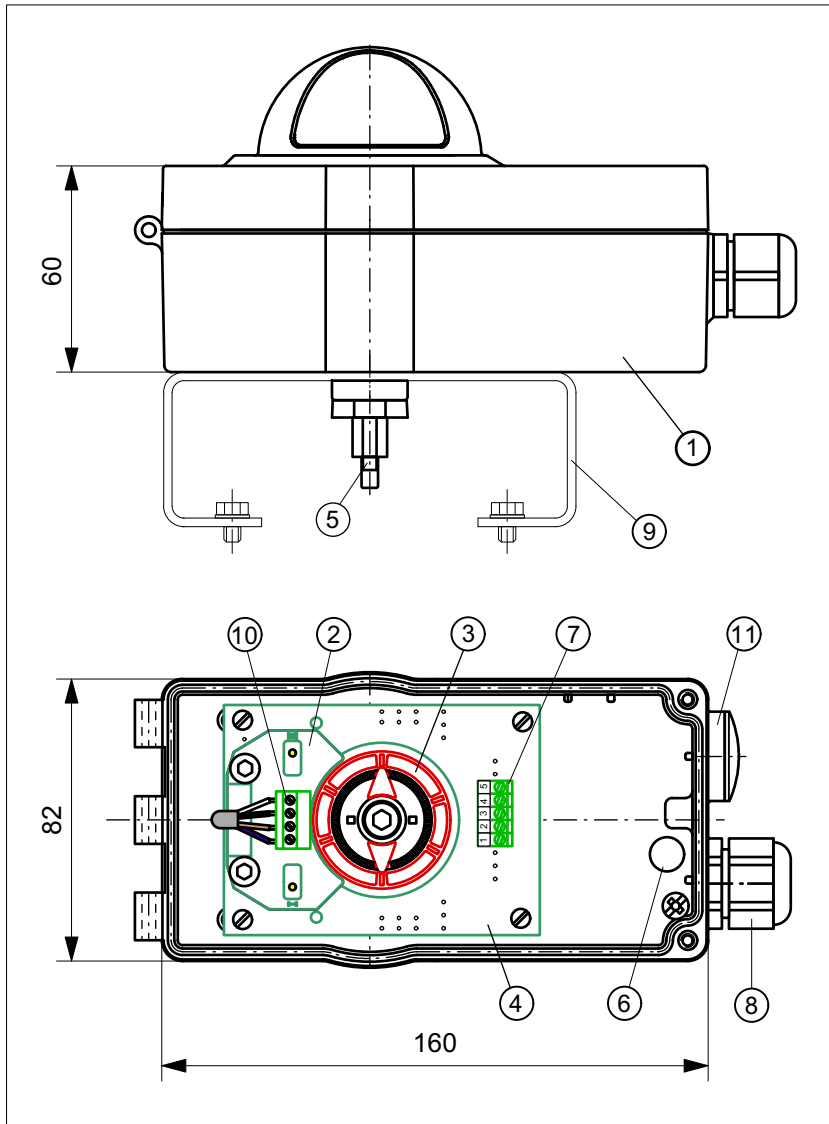




ALB-Module APFF25NASTAZ10

ALB-Module with one double sensor P+F NCN3-F25F-N4-P on circuit board in Aluminium-Housing 160x82x60 mm, with high vision beacon "OPEN / CLOSED"



TECHNICAL DATA

Manufacturer: Pepperl+Fuchs
 Type: NCN3-F25F-N4-P
 Norm. closed contact NAMUR
 Operating distance: 3 mm
 Nominal voltage: 8,2 V DC
 Switch. frequency: 0 ... 1500 Hz
 Output: short circuit protection
 inverse polarity protection
 Temperature: -25 ... +85°C
 Signal: LED, yellow
 Housing: Aluminium
 Base, grey
 Cover, red
 Sealing: PUR
 Ingress protection: IP60 (Sensor)
 IP65 (Housing)
 Switch. precision: <1.5°
 System connection: Cable gland M20x1,5
 Clamp. range 8...13 mm

Ex II 2G Ex ia IIC T6 Gb

EC-Type Examination Certificate No.
TÜV 99 ATEX 1479 X

OBJECT LIST

Pos.	Pcs.	Description	Material
1	1	Housing	Aluminium
2	1	P+F NCN3-F25F-N4-P	-
3	1	Switch cam system	POM
4	1	Circuit board	-
5	1	Axis	POM
6	1	Membrane	-
7	1	Terminal block, 5-pole	-
8	1	Cable gland M20x1,5	PA
9	1	Bracket size 1 - 4	A2
10	1	Phoenix-Connector	-
11	1	Blind plug M20x1,5	PA

WIRING DIAGRAM

