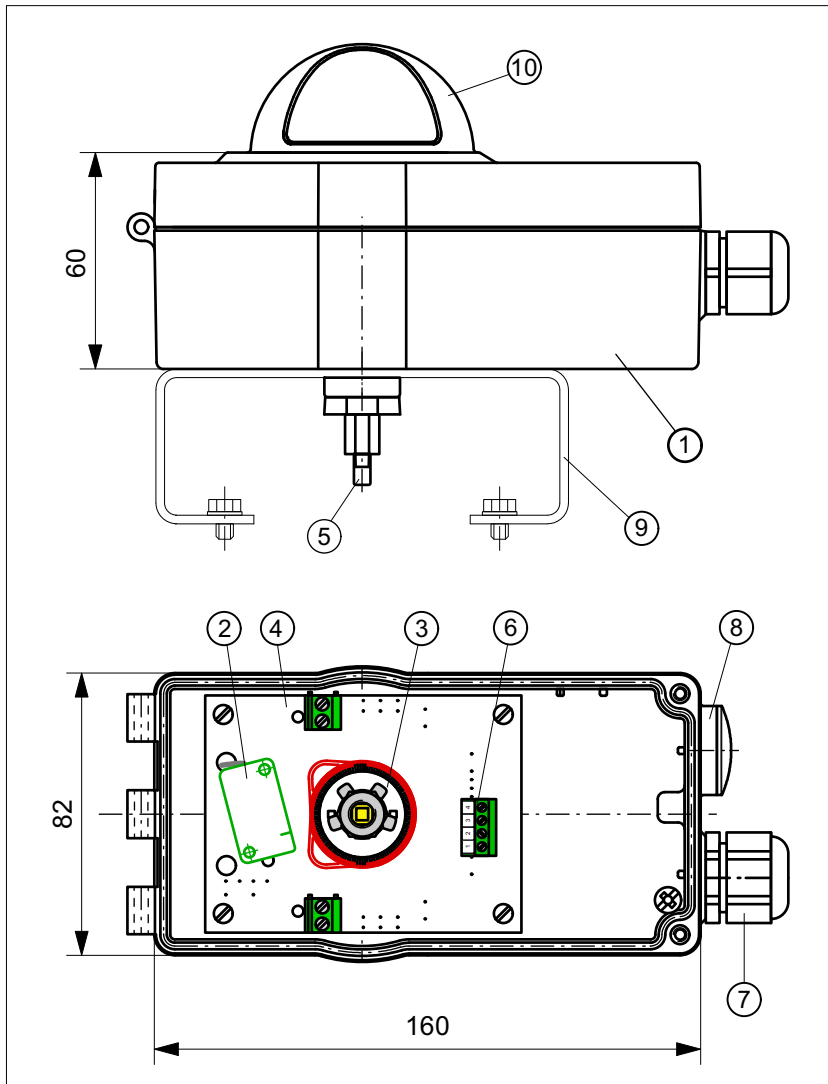




APF2V3EASTAZ10

ALB-Module with two proximity switches P+F NBB2-V3-E2, in Aluminium-Housing 160x82x60 mm, with high vision beacon "OPEN+CLOSED"



TECHNICAL DATA

Manufacturer: Pepperl+Fuchs
 Type: NBB2-V3-E2 inductive, NO PNP
 Operating distance: 2 mm
 Nominal voltage: 10 ... 30 V DC
 Operating current: 0 ... 100 mA
 Output: short-circuit protection, inverse-polarity protect.
 Signal: LED, yellow
 Temperature: -25 ... +70° C
 Housing: Aluminium
 Sealing: PUR
 Ingress protection: IP 67 (Sensor) IP 65 (Housing)
 Switch. precision: < 1,5°
 System connection: Cable gland M20x1,5 Clamp. range 8...13 mm

OBJECT LIST

Pos.	Pcs.	Description	Material
1	1	Housing	Aluminium
2	2	P+F NBB2-V3-E2	
3	1	Switch cam system	POM
4	1	Circuit board	-
5	1	Axis	POM
6	1	Terminal block, 4-pole	-
7	1	Cable gland M20x1,5	PA
8	1	Blind plug M20x1,5	PA
9	1	Bracket size 1 - 4	A2
10	1	Vision beacon "OPEN+CLOSED"	-

WIRING DIAGRAM

