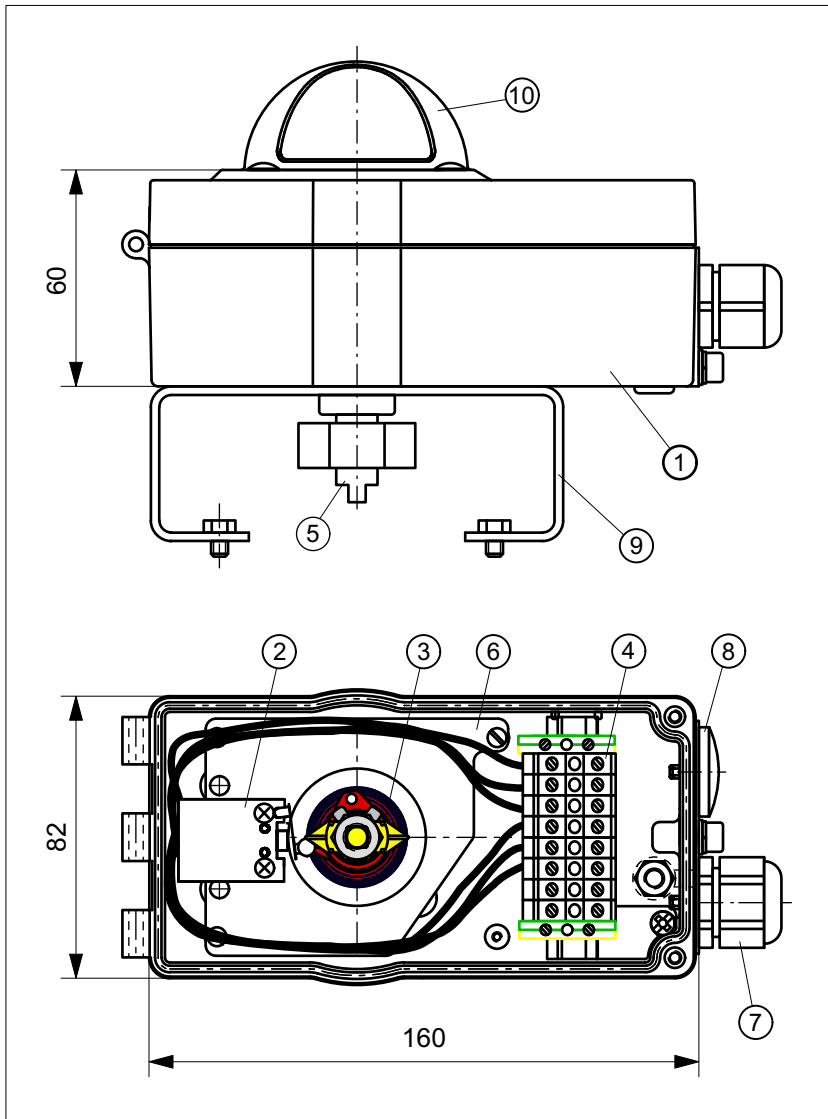




ACR1ASEAZ10

ALB-Module for hazardous area with two micro switches Crouzet 83.139.1 in Aluminium-Housing 160x82x60 mm, with high vision beacon "OPEN / CLOSED"



TECHNICAL DATA

Manufacturer: Crouzet
 Type: 83.139.1
 micro switch
 Switch. power: max. 4 A, 230 V AC
 Contacts: Silver-nickel
 Mechanical life: 5x10⁶ switch. cycles
 Temperature range: -25 ... +60°C
 Housing: Aluminium
 Base silver-grey
 Cover red
 with high vision beacon
 Sealing: PUR
 Ingress protection: IP67 / IP68
 (depth 1m / duration 1h)
 Switch. precision: <1.5°
 System connection: Cable gland M20x1,5
 Clamp. range 5,5...13 mm



II2G Ex db eb IIC T6 Gb
II2D Ex tb IIIC T80°C Db

EC-type examination certificate no.
 PTB 10 ATEX 1061 X

OBJECT LIST

Pos.	Pcs.	Description	Material
1	1	Housing	Aluminium
2	2	Micro switch Ex d IIC T6 Gb	-
3	1	Switch-cam-system	POM
4	1	Terminal block, 10-pole	-
5	1	Axis	Stainless steel
6	1	Mounting plate	Aluminium
7	1	Cable gland M20x1,5	PA
8	1	Blind plug M20x1,5	PA
9	1	Bracket size 1 - 4	Stainless steel
10	1	Vision beacon "OPEN+CLOSED"	-

WIRING DIAGRAM

