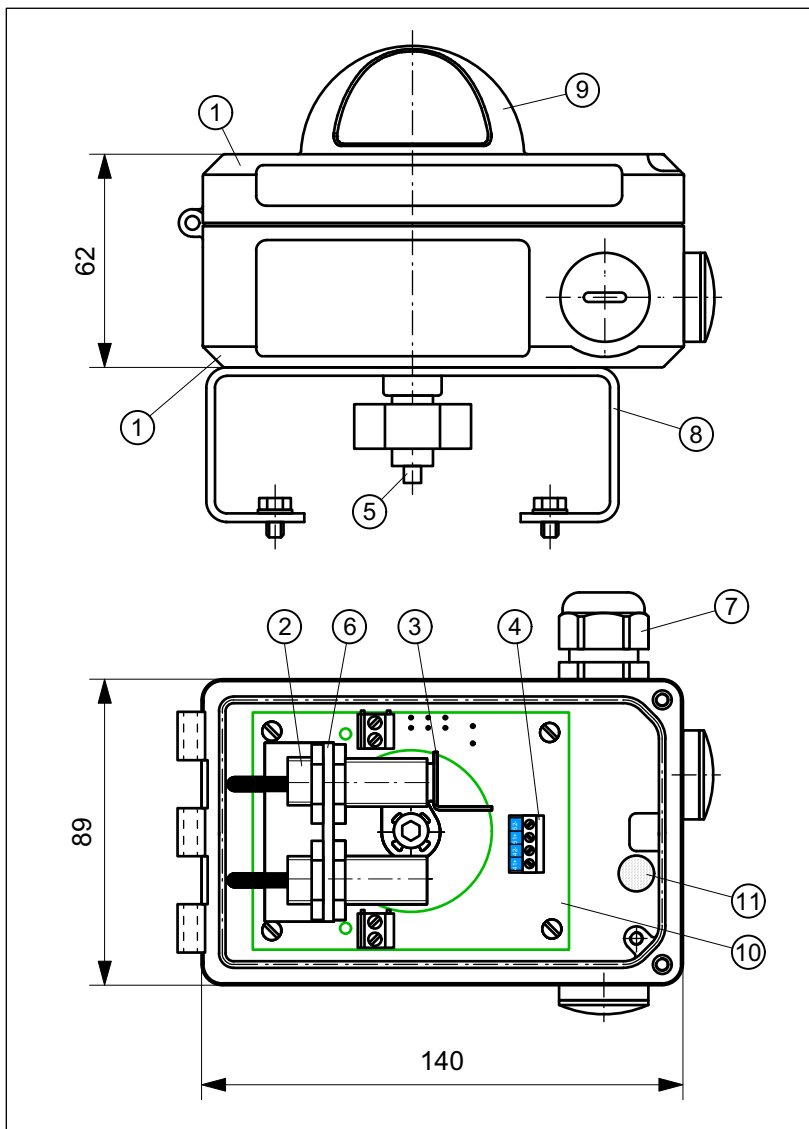




CPF211ASEAZ0

COM-Module with two proximity switches Pepperl+Fuchs type NJ2-11-N-G, in Aluminium-Housing 140x89x62 mm, with high vision beacon "OPEN+CLOSED"



TECHNICAL DATA

Manufacturer: Pepperl+Fuchs
 Type: NJ2-11-N-G
 NAMUR NC
 Operating distance: 2 mm
 Nominal voltage: 8,2 V DC
 Current consumpt.: min. 3 mA, inactive
 <= 1 mA, active
 Temperature: -25 ... +85 °C *
 Switch. frequency: 0 ... 3000 Hz
 Housing: Aluminium
 with high vision beacon
 Sealing: PUR
 Ingress protection: IP65
 Switch. precision: <1,5°
 System connection: Cable gland M20x1,5
 Clamp. range 8...13 mm

Ex II 2G Ex ia IIC T6 Gb

EC-type examination certificate no.
PTB 00 ATEX 2048 X

* The assignment between the max. permissible ambient temperature, the temperature class and the electrical supply data of the intrinsically safe circuit, must be taken from the EC-type examination certificate of the sensor.

OBJECT LIST

Pos.	Pcs.	Description	Material
1	1	Housing	Aluminium
2	2	P+F NJ2-11-N-G	-
3	1	Switch flag	Stainless steel
4	1	Terminal block, 4-pole	-
5	1	Axis	Stainless steel
6	1	Sensor fastener	Aluminium
7	1	Cable gland M20x1,5	PA
8	1	Bracket size 1 - 4	Stainless steel
9	1	Vision beacon "OPEN+CLOSED"	-
10	1	Circuit board	-
11	1	Membrane	-

WIRING DIAGRAM

