

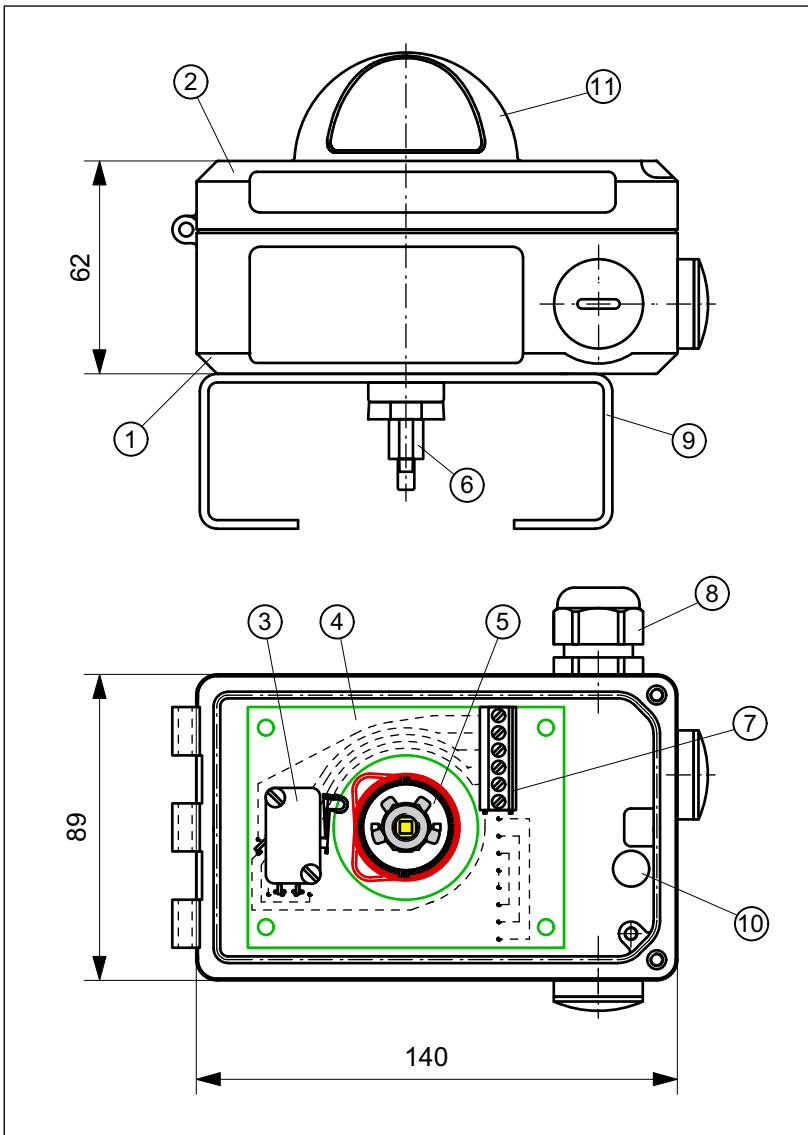


# CCR3ASTAZ0

COM-Module with two micro switches Crouzet type 83.161.301  
in Aluminium housing 140 x 89 x 62 mm, with high vision beacon "OPEN+CLOSED"

## TECHNICAL DATA

Manufacturer: Crouzet  
 Type: 83.161.301  
 Silver contacts,  
 two-way contact (SPDT)  
 Switch. power: 4 A, 230 V AC/DC  
 Mechanic life time: 2 x 10<sup>7</sup> switch. cycles  
 Temperature: -25 ... +85°C  
 Housing: Aluminium  
 with high vision beacon  
 Sealing: PUR  
 Ingress protection: IP65  
 Switch. precision: 1,5°  
 System connection: Cable gland M20x1,5  
 Clamp. range 8...13 mm



## OBJECT LIST

Pos.	Pcs.	Description	Material
1	1	Housing	Aluminium
2	1	Cover with hinge	Aluminium
3	2	Micro switch	-
4	1	Circuit board	-
5	1	Switch cam system	POM
6	1	Axis	POM
7	1	Terminal block, 6-pole	-
8	1	Cable gland M20x1,5	PA
9	1	Bracket size 1 - 4	A2
10	1	Membrane	-
11	1	Vision beacon "OPEN+CLOSED"	-

## WIRING DIAGRAM

